



**BARRIER FREE**

**OVALYN UNDERCOUNTER SINK**

- Vitreous china
- Unglazed rim for undercounter mount
- Front overflow
- Supplied with mounting kit (047194-0070A)

**0495.221 Unglazed rim**

17-1/8" x 14-1/8" (435 x 359mm)

Bowl size: 15-1/16" (382mm) wide,  
12-1/16" (306mm) front to back,  
5-1/2" (140mm) deep

**0496.221 Unglazed rim**

19-1/4" x 16-1/4" (489 x 413mm)

Bowl size: 17" (432mm) wide,  
14" (356mm) front to back,  
5-1/2" (140mm) deep

**0497.221 Unglazed rim**

21-1/2" x 17-3/8" (546 x 441mm)

**Bowl size:**

19" (483mm) wide,  
15-3/8" (391mm) front to back,  
5-1/2" (140mm) deep

**Compliance Certifications -  
Meets or Exceeds the Following  
Specifications:**

- ASME A112.19.2M for Vitreous China  
Fixtures
- CAN/CSA B45 series



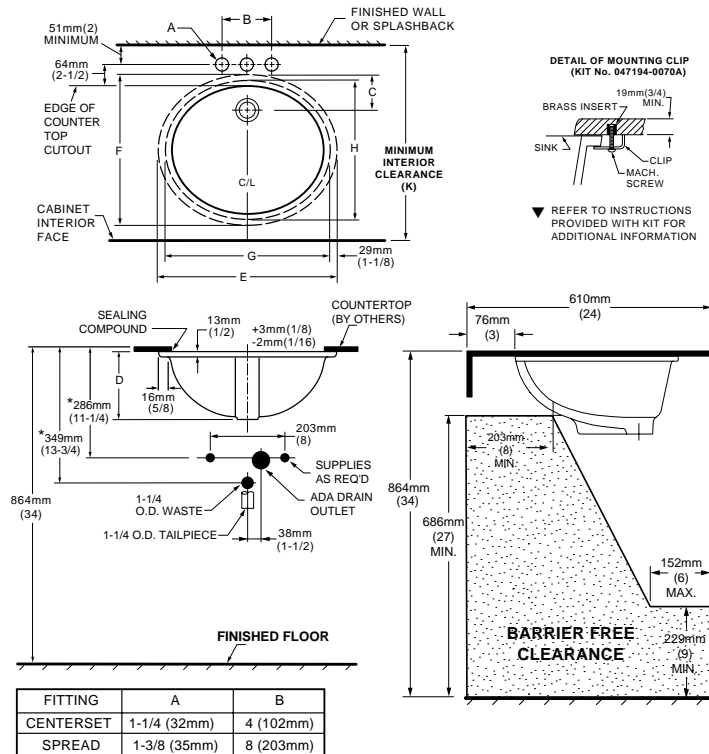
**To Be Specified**

- Color:
- Faucet\*:
- Faucet Finish:
- Supplies:
- 1-1/4" Trap:

\* See faucet section for additional models available

See reverse for roughing-in dimensions

0496/0497



**NOTES:**

\*\* USE ENCLOSED TEMPLATE FOR COUNTER TOP CUTOUT.  
FITTINGS NOT INCLUDED AND MUST BE ORDERED SEPARATELY.  
\* DIMENSIONS SHOWN FOR LOCATION OF SUPPLIED AND "P" TRAP ARE SUGGESTED.

▼ UNDERCOUNTER MOUNTING KIT SUPPLIED WITH SINK.

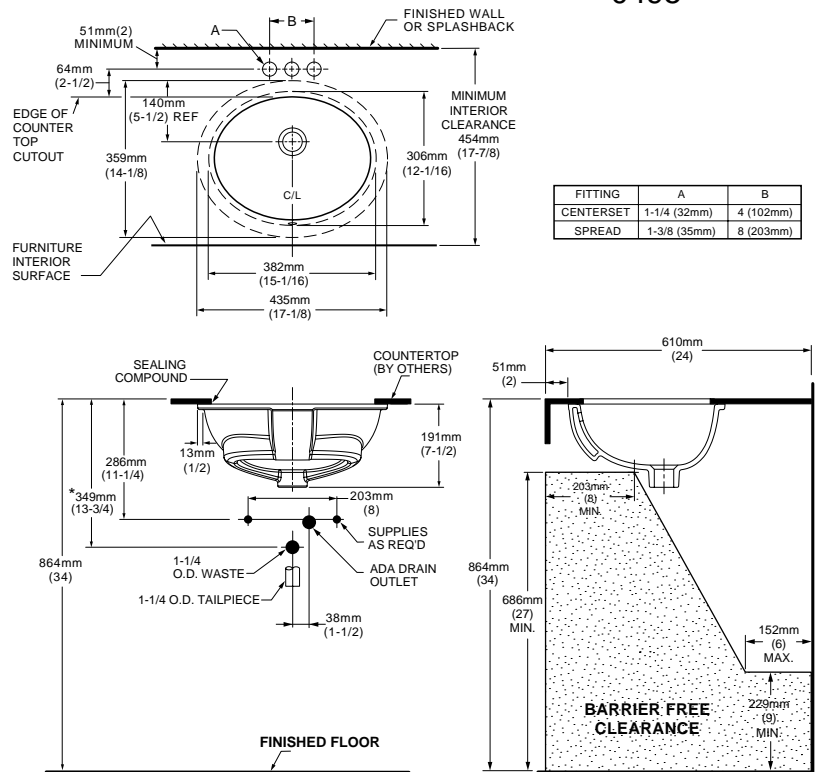
**PLEASE NOTE MINIMUM INTERIOR CLEARANCE DIMENSION (K).**

**IMPORTANT:** Dimensions of fixtures are nominal and may vary within the range of tolerances established by ANSI Standard A112.19.2.

These measurements are subject to change or cancellation. No responsibility is assumed for use of superseded or voided pages.

CAT. NO.	E	F	G	H	C	D	J	K
0496.221	489mm (19-1/4)	413mm (16-1/4)	432mm (17)	356mm (14)	103mm (4-1/16)	182mm (7-3/16)	16mm (5/8)	500mm (19-11/16)
0497.221	546mm (21-1/2)	441mm (17-3/8)	483mm (19)	391mm (15-3/8)	95mm (3-3/4)	191mm (7-1/2)	19mm (3/4)	534mm (21-1/16)

0495



**NOTES:**

\*\* USE ENCLOSED TEMPLATE FOR COUNTER TOP CUTOUT.  
FITTINGS NOT INCLUDED AND MUST BE ORDERED SEPARATELY.  
\* DIMENSIONS SHOWN FOR LOCATION OF SUPPLIED AND "P" TRAP ARE SUGGESTED.

▼ UNDERCOUNTER MOUNTING KIT SUPPLIED WITH SINK.

**PLEASE NOTE MINIMUM INTERIOR CLEARANCE DIMENSION (K).**

**IMPORTANT:** Dimensions of fixtures are nominal and may vary within the range of tolerances established by ANSI Standard A112.19.2.

These measurements are subject to change or cancellation. No responsibility is assumed for use of superseded or voided pages.



● Countertop 864mm (34") from finished floor. Lavatory installed 51mm (2") from front edge of countertop. Countertop thickness to be 25mm (1") maximum. **MEETS THE AMERICAN DISABILITIES ACT GUIDELINES AND ANSI A117.1 ACCESSIBLE AND USEABLE BUILDINGS AND FACILITIES - CHECK LOCAL CODES.**